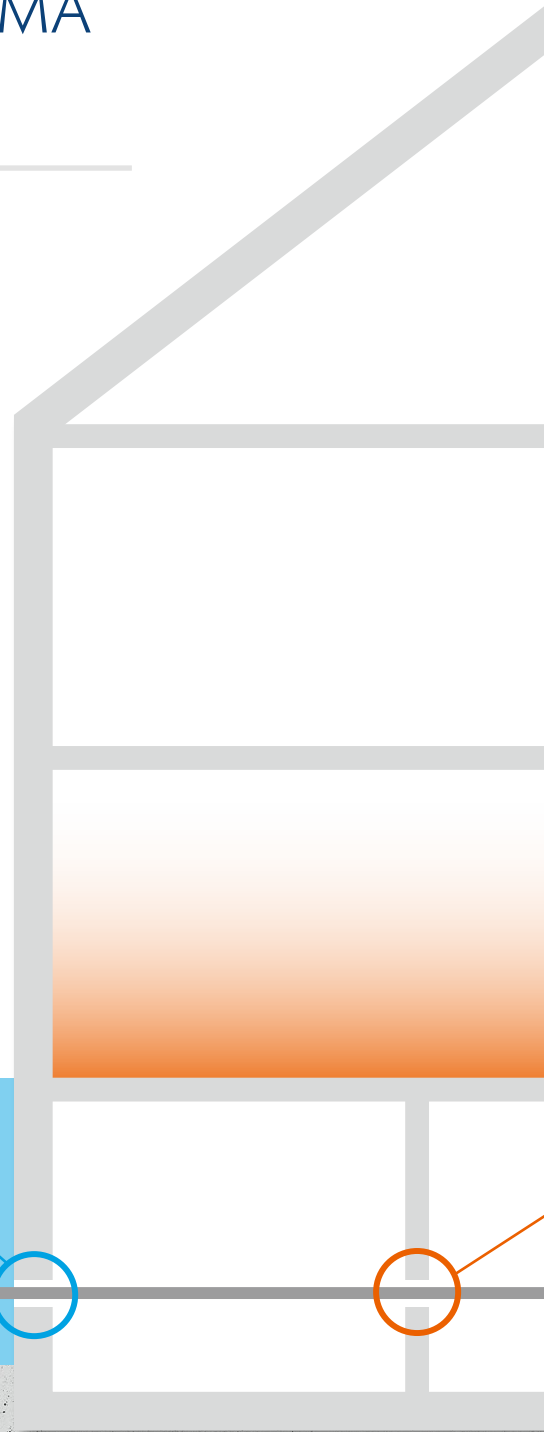
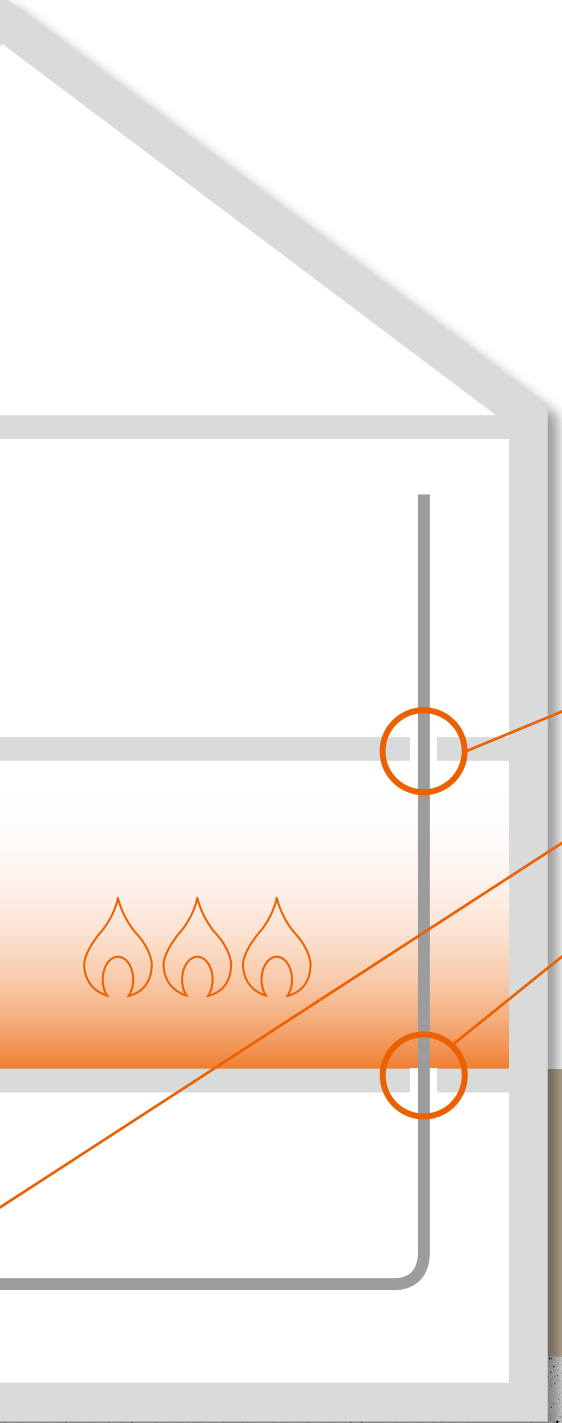


ESCAPE THE
PRODUCT
JUNGLE
WITH DOYMA

QUALITY PRODUCTS FROM DOYMA

Just simply safe.





AGAINST WATER & FIRE

The two-pillar strategy

**ALWAYS SIMPLE, FAST & SAFE:
DOYMA HAS THE PERFECT SOLUTION FOR EVERY PROBLEM**





SEALING | SYSTEMS

Curaflex Nova® gasket inserts

Curaflex® gasket inserts

Curaflex® pipe sleeves

Link-Seal® link chains

UGA cable ducts

Quadro-Sicura® building services duct systems
(building owner packages, single and multi-compartment
building services duct systems)

DOYMA products offer the highest level of safety when a duct or cable is routed through a wall - primarily in buildings, but also in containers.

DOYMA PRODUCTS PROTECT AGAINST WATER & FIRE

The sealing systems are used to seal the annular gap between the wall opening and the pipe or cable. The fire protection systems are used to seal off pipes and cable ducts in the fire-protection classified ceilings and walls.

DOYMA is active in these two distinct areas of expertise, and offers a high level of reliability and quality with its products. The logos for the two segments ensure optimal differentiation and orientation in the simple selection of products.



FIRE PROTECTION | SYSTEMS

Curaflam® collars

Curaflam® wrapping tapes

Curaflam® cartridge materials

Curaflam® cable bulkhead systems

Curaflam® fire protection-/
sealing system combinations



SYNONYM FOR SAFETY

DOYMA sealing systems

LIKE NO OTHER BRAND, DOYMA HAS SHAPED THE WAY THAT BUILDING DUCT SYSTEMS ARE SECURELY SEALED

The sealing of building duct systems is only a small detail of an often highly complex structure. However, their flawless functionality protects the people and objects contained therein, as well as the building itself, against external influences, especially from the penetration of water or gases.

DOYMA can provide you with a valuable tool for the proper and professional planning and execution of various types of building waterproofing solutions:

PRACTICAL HANDBOOK FOR SEALING SYSTEMS

- Significantly reduced visualization of known structural conditions, and thus easily understandable
- Essential control instructions with the help of the FHRK planning aid
- List of suitable DOYMA products - with all technical details
- With the best DOYMA product recommendations you will quickly reach your goal



SUBMIT AN ONLINE REQUEST!
Simply scan the QR Code or visit us on our website: www.doyma.com



PRODUCT RANGE SEALING SYSTEMS:

PRODUCT		DESCRIPTION
<p>Curaflex® GASKET INSERTS</p>		<ul style="list-style-type: none"> ○ Seal the annular gap between pipe/cable and waterproof concrete core bore/pipe sleeve ○ Guarantees the correct torque when tightening with DOYMA ITL principle (Integrated Torque Limiter) ○ No electrochemical corrosion thanks to frame rings made of special, non-conductive high-performance plastic ○ DOYMA-Grip guarantees optimum contact pressure due to extremely slip-resistant and highly age-resistant EPDM special elastomer
		<ul style="list-style-type: none"> ○ Seal the annular gap between pipe/cable and waterproof concrete core bore/pipe sleeve ○ Thanks to a double-sided, asymmetrical profiling of the steel rings on the inner side, a much more efficient elastomer deformation is achieved ("Double Profile System" = DPS) ○ DOYMA-Grip guarantees optimum contact pressure due to extremely slip-resistant and highly age-resistant EPDM special elastomer
<p>Curaflex® PIPE SLEEVES</p>		<ul style="list-style-type: none"> ○ Serve as an optimal support for DOYMA gasket inserts and link chains ○ Ensure a secure integration into the waterproofing of buildings ○ Are essential for brickwork ○ Versions: Special fibre cement (optimum binding for concrete), steel and stainless steel (especially for renovation or in case of high static requirements)
<p>Link-Seal® LINK CHAINS</p>		<ul style="list-style-type: none"> ○ Seal the annular gap of ducts ○ Modular design can seal a wide range of annular gaps and pipes ○ Therefore ideal for retrofitting ○ If necessary, quickly created on site and permanently installed
<p>UGA CABLE DUCTS</p>		<ul style="list-style-type: none"> ○ For the safe gas and watertight sealing of cables and cable ducts in waterproof concrete constructions ○ System consists of a flange sleeve and a large number of perfectly matched system adaptors, which are simply inserted into the flange sleeve.
<p>Quadro-Sicura® BUILDING SERVICES DUCT SYSTEMS</p>		<ul style="list-style-type: none"> ○ Single and multi-compartment building services duct systems/building owner package ○ for the rule-code compliant introduction of gas or distance heating, water, electricity and telecommunications lines in single-family homes and apartment buildings ○ for buildings with and without a basement ○ compact - space-saving - gas- and watertight



THE NEW GENERATION Curaflex Nova®

PROFESSIONAL SOLUTIONS FOR CRAFTSMEN WITH A UNIQUE LEVEL OF SAFETY DURING ASSEMBLY

Professional equipment is what a good craftsman really needs: Especially when it comes to gasket inserts! This is the only way to ensure you have the right version for every job. The new generation of Curaflex Nova® gasket inserts immediately solves numerous sealing problems, and offers a broad range of application options for every skilled craftsman.

SIMPLE

- Tight in every construction phase
- Safe for all load cases

QUICK

- No torque wrench needed
- Automatic selection of correct torque (no special tools needed: can be used with electric screwdrivers)



SAFE

- Exceptional guarantee far beyond the statutory regulations – 25 years warranty
- Up to 10,000 € for installation and removal costs
- Replacement of the product, and up to 100,000 € damage coverage

CURAFLEX NOVA®: CONTAINS A WEALTH OF CUTTING-EDGE TECHNOLOGY



ITL = INTEGRATED TORQUE LIMITER

Optimal contact pressure thanks to an automatically set correct torque. Specially developed ITL nuts reliably detach at the defined torque.



DOYMA-GRIP

The specially developed age-resistant elastomer prevents friction-reducing substances making the gasket insert slip under load induction.



DDE = DOYMA DIAMETER EXTENSION


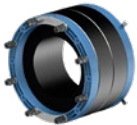


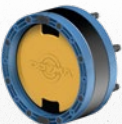



Plug-in modules allow a tool-free adaptation to a wide range of media cable diameters with only one gasket insert and maximum flexibility on-site.



STS = SOFT TIGHT SYSTEM

Gentle sealing of sensitive pipes ideal for corrugated pipes, textured plastic jacket and cable protection tubes.

PRODUCTS:

PRODUCT	DESCRIPTION	FEATURE			
		IT	DOYMA GRIP	DDE	STS
	Curaflex Nova® Uno ○ Efficient basic application for all common pipe and cable diameters	●	●		
	Curaflex Nova® Uno/breit ○ For use in twin/element walls	●	●		
	Curaflex Nova® Uno/T ○ For use with already existing pipes and cables	●	●		
	Curaflex Nova® Uno/breit/T ○ For use in twin/element walls and for already existing pipes and cables	●	●		
	Curaflex Nova® Uno/0 ○ As a permanent blank cap	●	●		
	Curaflex Nova® Senso ○ As an innovative specialist for sensitive ducts	●	●		●
	Curaflex Nova® Multi ○ With plug-in modules for a flexible adaptation ○ For unforeseen installation situations with deviating dimensioned media lines	●	●	●	
	Curaflex Nova® Uno/MS ○ With a sealing of the pipe using heat-shrink technology	●	●		



EVERYTHING YOU NEED

Quadro-Sicura® building owner packages all-inclusive

SINGLE AND MULTI-COMPARTMENT BUILDING SERVICES DUCT SYSTEMS FOR BUILDINGS WITH AND WITHOUT A BASEMENT



More and more utilities are shifting the responsibility for the professional sealing of supply lines to the building owner or developer. However, it is often difficult to select products in compliance with the various regulations.

For this reason, DOYMA has developed a standard in collaboration with a whole range of utility companies which greatly simplifies the sometimes difficult selection of products and also covers most applications.

Both the Quadro-Sicura® single compartment and multi-compartment solutions of DOYMA's building owner packages are products that have been tried and tested for many years, and are also DVGW-approved.

PRODUCT ADVANTAGES

- Our building owner packages are supplied complete with all the necessary accessories
- Simple product selection through standardization
- All sealing elements are pre-assembled at the factory
- Rule-code compliant duct system (DVGW approved)
- Lower civil engineering costs thanks to the installation of all house connection pipes in one trench (in the case of multi-division)
- Jacket pipes enable the simple and subsequent laying or replacement of house connections without further excavation work.

BUILDING OWNER PACKAGES:

PRODUCT	DESCRIPTION	MULTI-COMPARTMENT	SINGLE COMPARTMENT			BASEMENT	
			GAS	GAS OR WATER	TELECOM	WITHOUT	WITH
	<p>Quadro-Secura® Basic R4+</p> <ul style="list-style-type: none"> ○ In-row version ○ Use in buildings yet to be built <p>Consisting of: Basic MB-R4+ (installation part) Basic FUBO-E-R4+ (cast-in part)</p>	•				•	
	<p>Quadro-Secura® E-BP</p> <ul style="list-style-type: none"> ○ Round version ○ Use in buildings yet to be built <p>Consisting of: Quadro-Secura® E-BP-I (installation part) Quadro-Secura® E-BP-R (cast-in part)</p>		•			•	
	<p>Quadro-Secura® E-BP</p> <ul style="list-style-type: none"> ○ Round version ○ Use in buildings yet to be built <p>Consisting of: Quadro-Secura® E-BP-I (installation part) Quadro-Secura® E-BP-R (cast-in part)</p>			•	•	•	
	<p>Quadro-Secura® Nova 1/breit</p> <ul style="list-style-type: none"> ○ Additional sealing on the wall outer side in accordance with DIN 18533 for W2.1-E ○ Also suitable for waterproof concrete core bore and twin/element walls 	•					•
	<p>Quadro-Secura® E 1/breit</p> <ul style="list-style-type: none"> ○ Additional sealing on the wall outer side in accordance with DIN 18533 for W2.1-E ○ Also suitable for waterproof concrete core bore and twin/element walls 		•				•
	<p>Quadro-Secura® E 1/breit</p> <ul style="list-style-type: none"> ○ Additional sealing on the wall outer side in accordance with DIN 18533 for W2.1-E ○ Also suitable for waterproof concrete core bore and twin/element walls 			•	•		•



SIMPLE & USER FRIENDLY

Curaflam® Fire protection systems

INNOVATIVE PRODUCTS FOR SEALING OF PIPES AND CABLES FOR PREVENTIVE STRUCTURAL FIRE PROTECTION

DOYMA offers a fire protection programme that includes pipe and cable insulations for the most common fire resistance classes. It equips all important ducts with a safe and effective preventive fire protection solution.

DOYMA has a great tool to help you find the right isolation even faster:

DOYMA PRACTICAL HANDBOOK ON FIRE PROTECTION


- Structured layout
- Quick orientation within the extensive product range
- Well-founded theoretical section
- Application-related utilities table
- Useful practical tips
- Glossary with the most important keywords

The practical fire protection manual is currently not available in English. If you have any queries please do not hesitate to contact us.



Contact export:
www.doyma.com/export
+49 (0) 4207/91 66 - 550

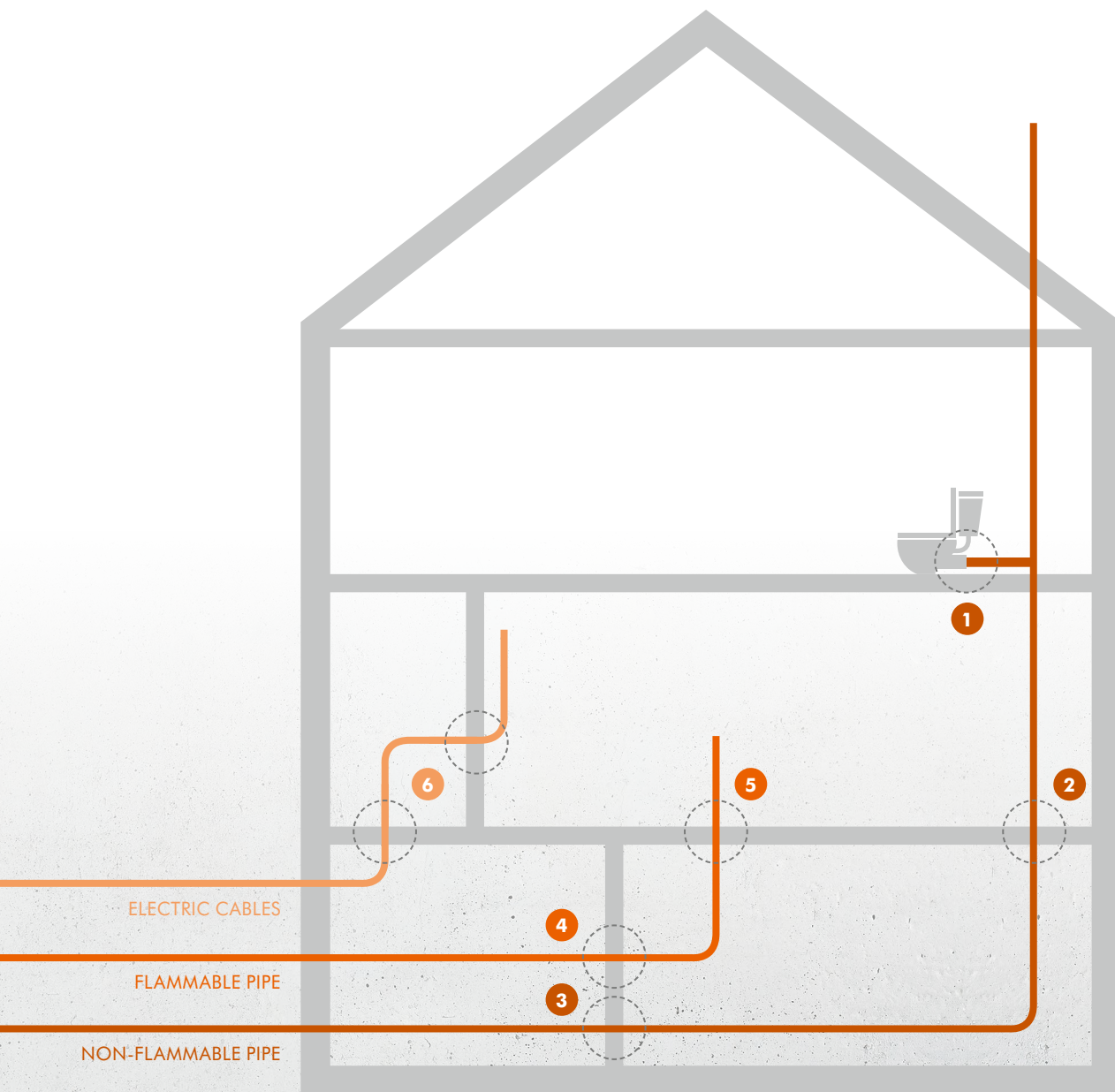
PRODUCT RANGE FIRE PROTECTION SYSTEMS:

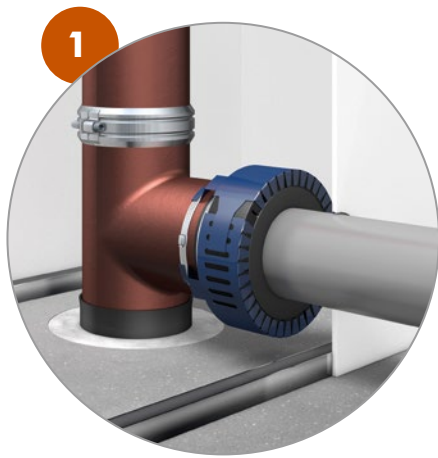
PRODUCT		DESCRIPTION
<p>Curaflam® COLLARS</p>		<ul style="list-style-type: none"> ○ Many different pipe types and installation situations possible ○ Simple installation (surface-mounted & cemented-in) ○ Various tested zero distances ○ Clearly structured approvals ○ Approved solution for wooden beam ceilings
<p>Curaflam® WRAPPING TAPES</p>		<ul style="list-style-type: none"> ○ Solution for flammable and non-flammable pipes ○ For insulated and non-insulated pipes ○ Concealed installation for high architectural demands (e.g. protection of historical buildings)
<p>Curaflam® CARTRIDGE MATERIAL</p>		<ul style="list-style-type: none"> ○ Isolation in accordance with pipeline installation directive (LAR) ○ Also for insulated ducts ○ Approved for electrical cables and cable bundles ○ Application possible under tight spatial conditions ○ Overhead use possible
<p>Curaflam® CABLE ISOLATION SYSTEMS</p>		<ul style="list-style-type: none"> ○ Flexible isolation of cables ○ Easy to subsequently integrate lines ○ Dirt-free mounting ○ For use in solid ceilings, walls and lightweight partition walls ○ Also suitable for non-flammable ducts
<p>Curaflam® COMBINATIONS</p>		<ul style="list-style-type: none"> ○ The only solution on the market for special requirements: Fire isolation & sealing against water ○ Suitable for flammable/non-flammable supply lines



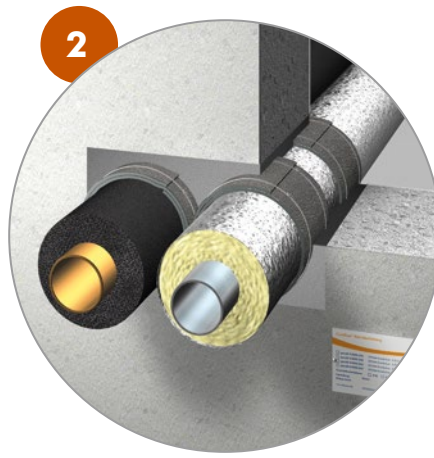
DOYMA FIRE PROTECTION SYSTEMS

Installation examples

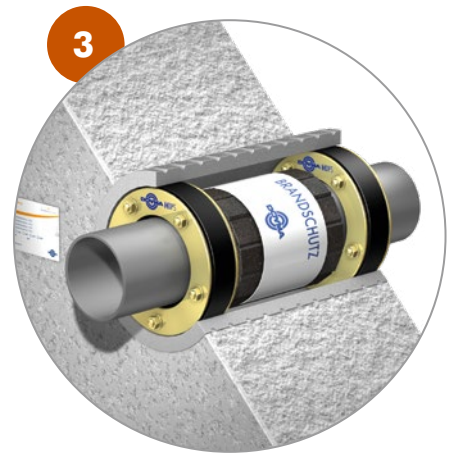




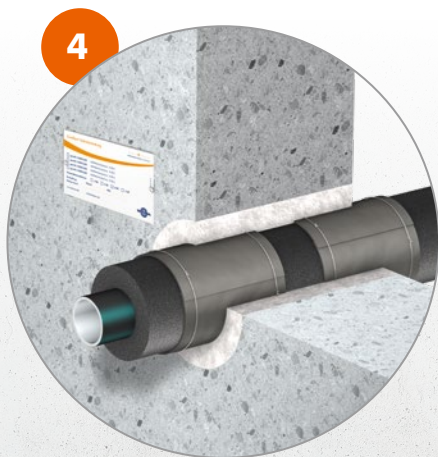
1
COLLAR
> Curaflam® KonfixPro



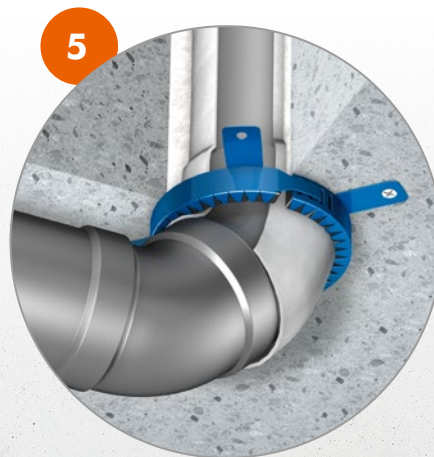
2
WRAPPING TAPE
> Curaflam® Rollit ISOPro



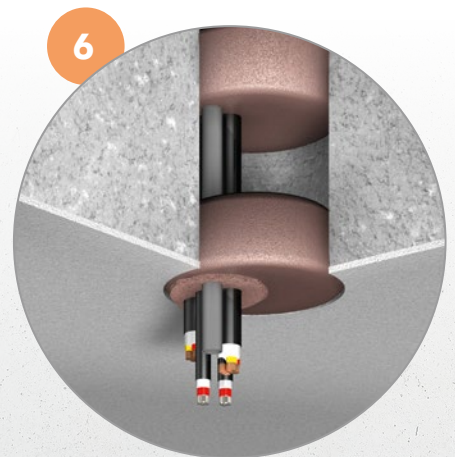
3
COMBINATION
> Curaflam® BSHN



4
WRAPPING TAPE
> Curaflam® Rollit BBRPro



5
COLLAR
> Curaflam® XSPro



6
CABLE ISOLATION SYSTEMS
> Curaflam® plugs & stones

25
years
guarantee

DOYMA is the first company in the building duct technology market to offer a guarantee that reaches far beyond the legal regulations. Decades of practical experience are the foundation of this extraordinary guarantee promise. Enjoy the benefits of our warranty services:

- Replacement of the product in case of damage
- Up to €10,000 damage coverage for assembly and disassembly
- Up to €100,000 damage coverage for encountered damages

WE WILL BE HAPPY TO ADVISE YOU!

GERMANY

DOYMA GmbH & Co
SEALING SYSTEMS
FIRE PROTECTION SYSTEMS

Industriestr. 43-57
28876 Oyten
Phone: +49 (0) 4207 / 91 66-300
Fax: +49 (0) 4207 / 91 66-199
www.doyma.de
info@doyma.de

AUSTRIA

DOYMA GmbH & Co
SEALING SYSTEMS
FIRE PROTECTION SYSTEMS
Vienna office

Perfektastr. 61 Building 3/Top 2
1230 Wien
Phone: +43 (0) 1 / 698 1388
Fax: +43 (0) 1 / 698 1388-99
www.doyma.at
info@doyma.at



Contact export:
www.doyma.com/export
+49 (0) 4207 / 91 66 - 550

MEMBERSHIPS:

