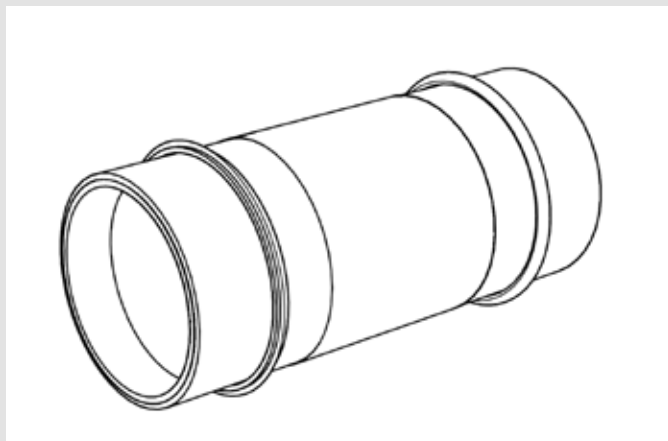


INSTALLATION INSTRUCTIONS

HKD KE-Pipe sleeve



HKD KE-Pipe sleeve

Dear Customer,

Thank you for choosing a quality product from our range.

Please read this message and the included installation instructions in full before installing or processing our products and keep both in a safe place after installation.

Safety instructions:

- Our products may only be installed by persons with the necessary specialist knowledge.
- For your own protection and the protection of third parties, the work area and any necessary pipe trenches must be properly constructed and secured in accordance with the applicable regulations.
- When installing our sealing and fire protection systems, the recognised rules of technology, the relevant regulations of the employers' liability insurance associations, the VDE regulations and the applicable safety and accident regulations must be observed. Parts of the body may be crushed or other serious injuries may occur when tensioning or fixing the products in place.
- The safety data sheets must be observed.
- Check that the delivered product is complete (the scope of delivery is listed separately in the installation instructions) and check all individual parts for any damage. Only undamaged parts may be installed.
- Check that the product is suitable for its intended use using the installation instructions. If there are any particular demands,

please clarify the use of the product with us in advance. Request our checklists for this purpose or download them from www.doyma.com.

Any liability on our part is excluded for misuse!

- Finally, please observe the instructions for the tools and equipment required for installation.

Industrial property rights:

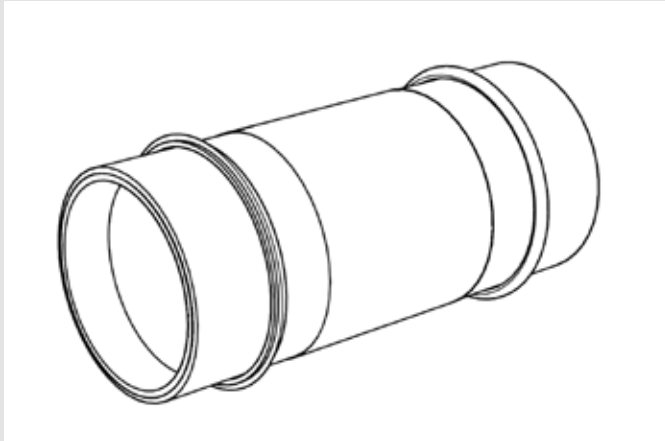
- Our industrial property rights and those of third parties must be observed.

Disposal:

- Please observe the applicable regulations when disposing of components, accessories and packaging.

Terms and conditions of sale:

- The current version of our terms and conditions of sale and delivery shall prevail.



HKD KE-Pipe sleeve

Intended purpose

Pipe sleeve for installation in wall, ceiling and floor slab. Suitable for waterproof walls (white tank), e.g. waterproof concrete with pressing or non-pressing water. The pipe sleeve is used to hold a gasket insert (not included in scope of delivery).

Please note:

The installation steps notes for installing the pipe sleeve can be found on the following page. To seal the annular space between pipe/cable and pipe sleeve, you will need a gasket insert. We recommend installing a Curaflex® or HKD DOMO.

Visual inspection of pipe sleeves for defects or damage upon delivery and before installation.

The pipe sleeves must be properly stored and protected against damage.

The storage temperature must be between 5 and 30°C; avoid direct sunlight in all cases.

If the pipe has already been laid, the pipe sleeve must be centred around the pipe and secured in place before embedding in concrete. During embedding, lay pipe sleeves with a clearance of at least 10 cm from each other where possible, so that compacting the concrete/grout is easy; maintain the distance of 10 cm from the pipe sleeve to the respective penetration limits, even when installing pipe sleeves in existing walls.

Installation conditions

Position the movable SBR lip seals on the smooth surface of the pipe sleeve.

If the pipe sleeve needs to be cut to size on site, observe the following instructions.

Cut the pipe sleeve on the non-water side. Do not cut off more than 30 mm of the pipe sleeve.

Tools:

- Handheld hammer when using formwork holders
- Compactor (e.g. internal vibrator)
- Manual saw (for cutting only)

Equipment

- Tie wire and pliers for securing to reinforcement steel
- Pipe clamps when inserting in steel formwork

Scope of delivery

- Pipe Sleeve
- Installation steps

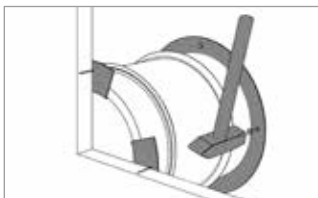
Accessories (optional)

Gasket insert: Curaflex® or Curaflex® Nova or HKD DOMO

Further accessories available upon request.

Installation steps

1 Pipe sleeve with formwork support



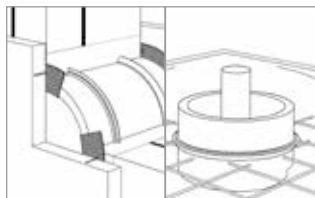
Fix the pipe sleeve in the formwork using the holder (not included in scope of delivery). Depending on the pipe sleeve, two formwork supports may be needed.

2 Example: fixing in steel formwork



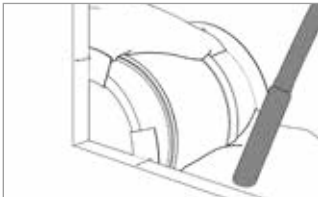
Example: fixing in steel formwork using welded connections with pipe clamp (pipe clamp on site).

3 In masonry (wall, floor slab, ceiling)



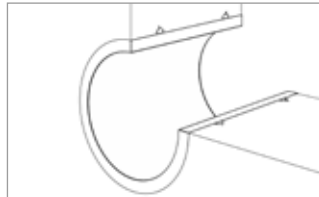
Seal in – see example in masonry wall (left image) and in floor slab/ceiling (right image).

4 Compaction



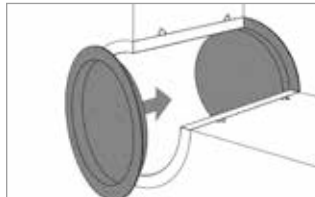
Compact the concrete around the pipe sleeve well.

5 Installed pipe sleeve



Pipe sleeve is flush with formwork.

6 Pipe sleeve with sealing plug



Protect the pipe sleeve with a sealing plug during the raw construction phase.



DOYMA products are constantly evolving. Technical changes may be implemented without notice.
For more information, visit www.doyma.com

DOYMA GmbH & Co

SEALING SYSTEMS	Industriestr. 43-57	Phone: 0 42 07/91 66-300	www.doyma.de
FIRE PROTECTION SYSTEMS	28876 Oyten	Fax: 0 42 07/91 66-199	info@doyma.de

